

1 FOUNDATION PLAN
1 SCALE: 1 - 100

SHEET	OR	1
		5
JOB NO.	AGSD10201	
DATE	2/11/2005	
CHECKED	AM	
DRAWN	AGS	

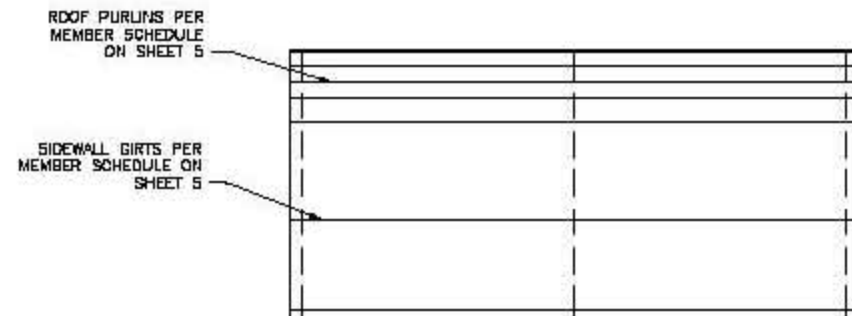
STEEL BUILDING BY (CONTACT)
A, G & S DISTRIBUTORS P/L
 FOR
YOUR NAME
 AT
YOUR ADDRESS
 2005



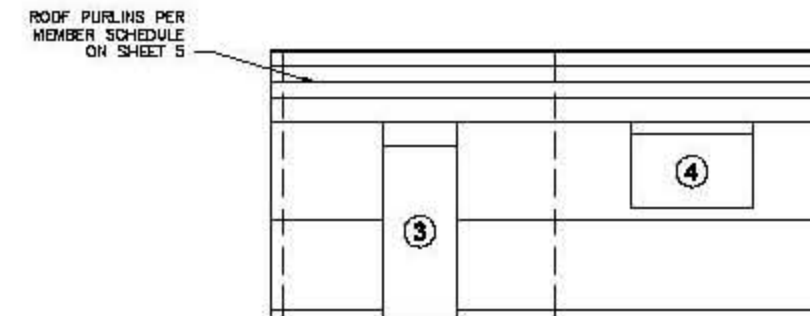
A B CONSULTING ENGINEERS
 Structural & Civil
 Andrew Matiukevitch
 MIEAust. CPEng. (Regd. NPER - 3 Structural)
 Practising Structural Engineer R.P.E.Q. No. 4748.
 Building Designer/Structural Certifier
 TAS Reg No. CC850L

Registered Professional Engineer 341550
Mr Andrew Matiukevitch
 MIEAust CPEng (Structural)
 NPER-3
 Signature: *[Handwritten Signature]*
 Registered on the NPER-3 in the Category of Structural
 National Professional Engineers Register Section Three

The design and detail shown on these drawings are applicable to this project only and may not be reproduced in whole or any part or be used for any other purpose without the written permission of AG&S Building Systems Pty Ltd with whom copyright resides.

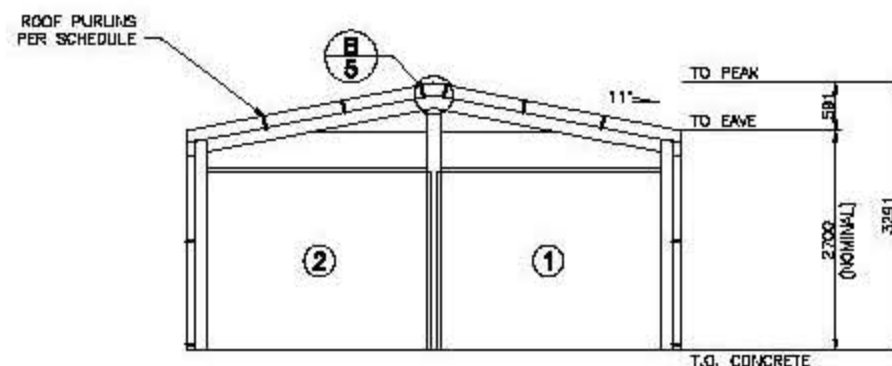


1 SIDEWALL EXTERIOR ELEVATION
2 SCALE: 1 = 100

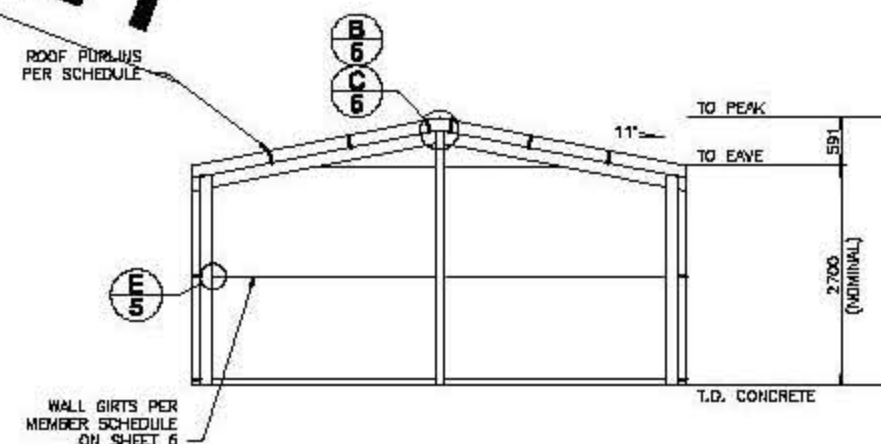


2 SIDEWALL EXTERIOR ELEVATION
2 SCALE: 1 = 100

SAMPLE ONLY



4 ENDWALL INTERIOR ELEVATION
2 SCALE: 1 = 100



3 ENDWALL INTERIOR ELEVATION
2 SCALE: 1 = 100

NOTE: CLADDING OMITTED FOR CLARITY. SEE SHEET #5 FOR CLADDING DETAILS.

OR	2	SHEET	DATE	2/11/2005
			CHECKED	AM
5	SHEET	JOB NO.	AGSD10201	
		DRAWN	AGS	

STEEL BUILDING BY (CONTACT) **A.G & S DISTRIBUTORS P/L**

FOR **YOUR NAME**

AT **YOUR ADDRESS**

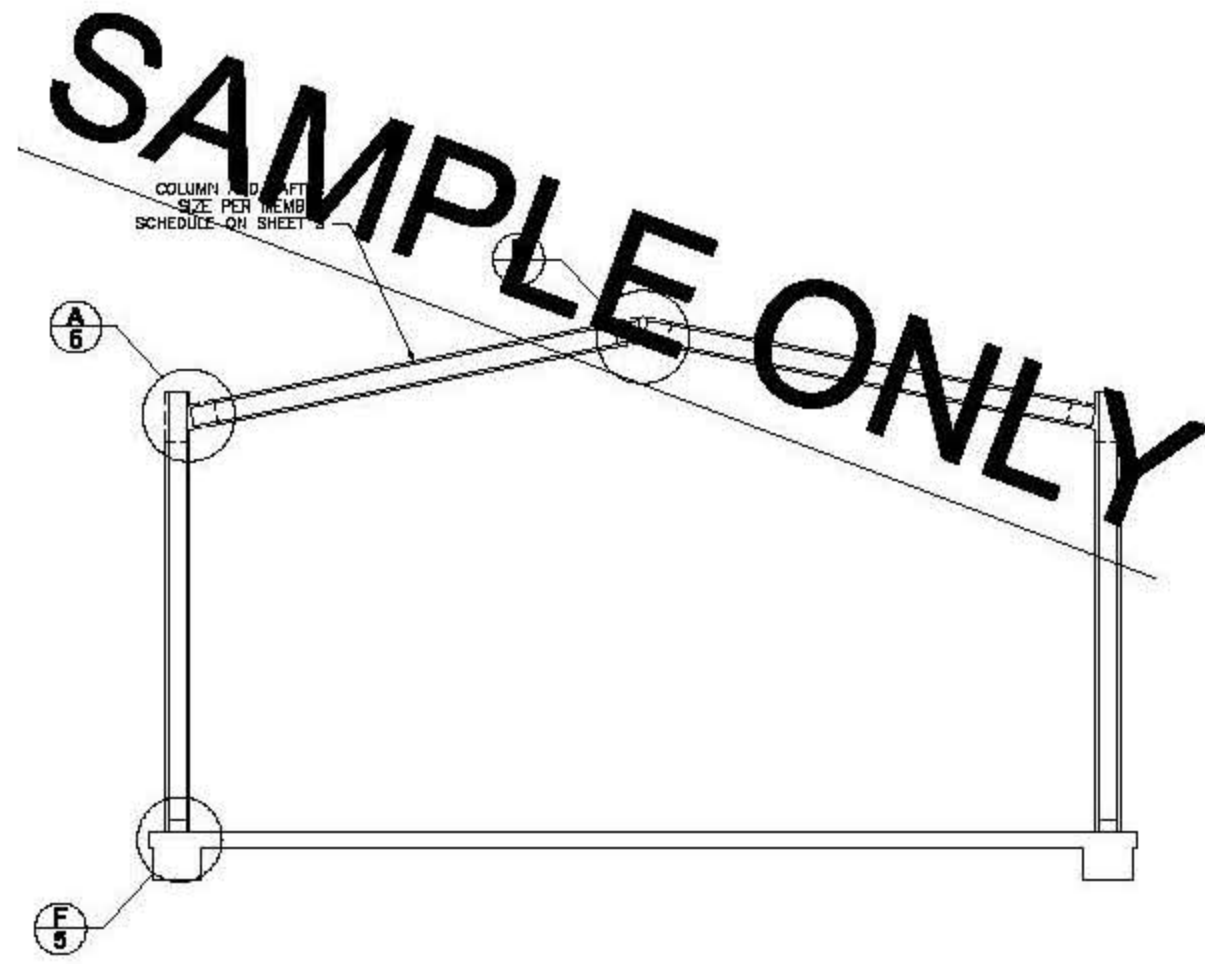
2005



A B CONSULTING ENGINEERS
 Structural & Civil
 Andrew Matiukevitch
 MIEAust CPEng. (Regd. NPER - 3 Structural)
 Practising Structural Engineer R.P.E.O. No. 4748.
 Building Designer/Structural Certifier
 TAS Reg No. CCBS0L

Registered Professional Engineer 341550
Mr Andrew Matiukevitch
 MIEAust CPEng (Structural)
 NPER-3

Signature: *Andrew Matiukevitch*
 Date: 2/11/05
 Registered on the NPER-3 in the Category of Structural
 National Professional Engineers Register Section Three



1 INTERNAL FRAME SECTION
 3 SCALE: 1 - 50

(Refer to Sheet #4 for concrete specification).

3 OF 5	SHEET	JOB NO. AGSD10201	DATE 2/11/2005	CHECKED AM	DRAWN AGS
	STEEL BUILDING BY (CONTACT) A, G & S DISTRIBUTORS P/L				

FOR
AT

YOUR NAME

YOUR ADDRESS

2005



© Copyright A.G.S. Building Systems Pty Ltd.

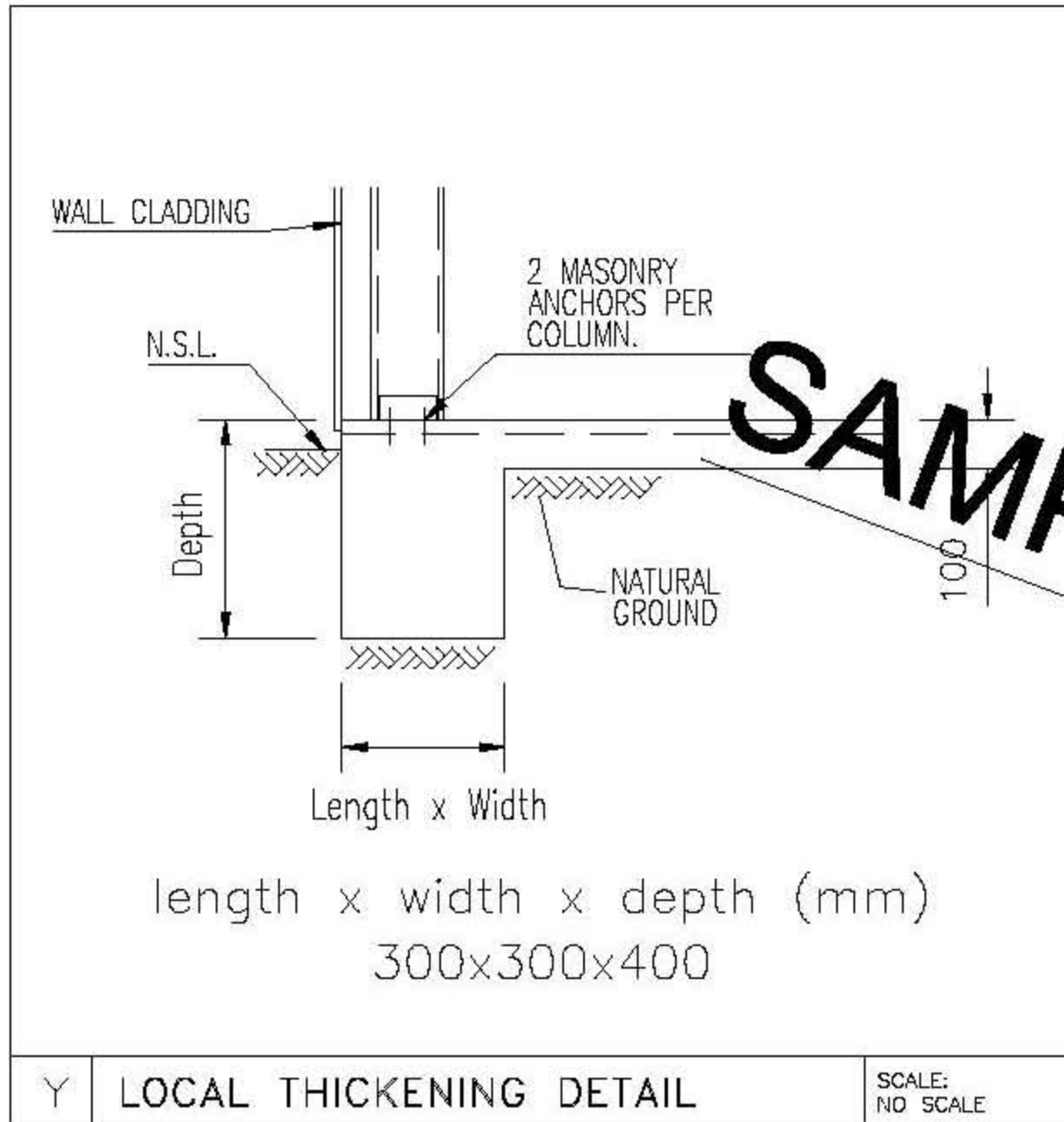
A B CONSULTING ENGINEERS
 Structural & Civil
 Andrew Matiukevitch
 MIEAust. CPEng. (Regd. NPER - 3 Structural)
 Practising Structural Engineer R.P.E.Q. No. 4748.
 Building Designer/Structural Certifier
 TAS Reg No. CC850L

Registered Professional Engineer 341550
Mr Andrew Matiukevitch
 MIEAust CPEng (Structural)
 NPER-3

Signature: *Andrew Matiukevitch*
 Registered on the NPER-3 in the Category of Structural
 National Professional Engineers Register Section Three

STRUCTURAL GENERAL NOTES

- GOVERNING CODE: BUILDING CODE OF AUSTRALIA (BCA), LOADING TO AS1170 - ALL SECTIONS. BUILDING SUITABLE FOR DOMESTIC/LIGHT INDUSTRIAL USE UNLESS OTHERWISE SPECIFICALLY NOTED.
- DESIGNER'S COMMENTS: THESE DRAWINGS REMAIN THE PROPERTY OF AG&S BUILDING SYSTEMS PTY. LTD (AG&S). ENGINEERING SIGNATURE AND CERTIFICATION IS ONLY VALID WHEN BUILDING IS SUPPLIED BY A DISTRIBUTOR OF AG&S. DRAWINGS ARE PROVIDED FOR THE SOLE PURPOSE OF OBTAINING BUILDING PERMITS AND AIDING CONSTRUCTION. ANY OTHER USE OR REPRODUCTION IS PROHIBITED WITHOUT WRITTEN APPROVAL FROM AG&S.
- ENGINEERING SIGNATURE REQUIREMENTS: THESE DRAWINGS ARE NOT VALID UNLESS SIGNED BY THE ENGINEER. THE ENGINEER ACCEPTS NO LIABILITY OR RESPONSIBILITY FOR DRAWINGS WITHOUT A SIGNATURE. EACH TITLE BLOCK CONTAINS A WATER MARK UNDER THE CUSTOMER'S NAME CONTAINING THE DATE OF PRODUCTION OF THE DRAWING; THE DRAWINGS ARE TO BE SUBMITTED TO COUNCIL WITHIN 21 DAYS OF THIS DATE. THIS IS TO ENSURE THAT ONLY CURRENT DRAWINGS ARE IN CIRCULATION.
- CONTRACTOR RESPONSIBILITIES: CONTRACTOR SHALL VERIFY AND CORRECT ALL EXISTING CONDITIONS AND DIMENSIONS. ENGINEER SHALL BE NOTIFIED OF ANY DISCREPANCIES BETWEEN DRAWINGS AND EXISTING CONDITIONS PRIOR TO START OF WORK. CONTRACTOR MUST NOT MAKE ANY DEVIATION FROM THE PROVIDED PLANS WITHOUT FIRST OBTAINING WRITTEN APPROVAL FROM ONE OF THE UNDERSIGNED ENGINEERS. THE ENGINEER / AG&S TAKES NO RESPONSIBILITY FOR CHANGES MADE WITHOUT WRITTEN APPROVAL. CONTRACTOR IS RESPONSIBLE FOR ENSURING NO PART OF THE STRUCTURE BECOMES OVERSTRESSED DURING CONSTRUCTION. BUILDING IS NOT STRUCTURALLY ADEQUATE UNTIL THE INSTALLATION OF ALL COMPONENTS AND DETAILS SHOWN IS COMPLETED IN ACCORDANCE WITH THESE DRAWINGS. THE INDICATED DRAWING SCALES ARE APPROXIMATE. DO NOT SCALE DRAWINGS FOR CONSTRUCTION PURPOSES. FOR FURTHER DIRECTIONS ON CONSTRUCTION THE CONTRACTOR SHOULD CONSULT THE APPROPRIATE INSTRUCTION MANUAL.
- ENGINEERING: THE ENGINEER / AG&S ARE NOT ACTING AS PROJECT MANAGERS FOR THIS DEVELOPMENT, AND WILL NOT BE PRESENT DURING CONSTRUCTION. THE UNDERSIGNED ENGINEERS HAVE REVIEWED THIS BUILDING FOR CONFORMANCE ONLY TO THE STRUCTURAL DESIGN PORTIONS OF THE GOVERNING CODE. THE PROJECT MANAGER IS RESPONSIBLE FOR ADDRESSING ANY OTHER CODE REQUIREMENTS APPLICABLE TO THIS DEVELOPMENT. THESE DOCUMENTS ARE STAMPED ONLY AS TO THE COMPONENTS SUPPLIED BY AG&S. IT IS THE RESPONSIBILITY OF THE PURCHASER TO COORDINATE DRAWINGS PROVIDED BY AG&S WITH OTHER PLANS AND/OR OTHER COMPONENTS THAT ARE PART OF THE OVERALL PROJECT. IN CASES OF DISCREPANCIES, THE LATEST DRAWINGS PROVIDED BY AG&S SHALL GOVERN.
- INSPECTIONS: NO SPECIAL INSPECTIONS ARE REQUIRED BY THE GOVERNING CODE ON THIS JOB. ANY OTHER INSPECTIONS REQUESTED BY THE LOCAL BUILDING DEPARTMENT SHALL BE CONDUCTED AT THE OWNER'S EXPENSE.
- SOIL REQUIREMENTS: SOIL CLASSIFICATION TO BE A, B OR M ONLY. SOIL SAFE BEARING CAPACITY VALUE INDICATED ON DRAWING SHEET 4 OCCURS AT 100mm BELOW FINISH GRADE, EXISTING NATURAL GRADE, OR AT FROST DEPTH SPECIFIED BY LOCAL BUILDING DEPARTMENT, WHICHEVER IS THE LOWEST ELEVATION. REGARDLESS OF DETAIL Y ON SHEET 4 THE MINIMUM FOUNDATION DEPTH SHOULD BE 100mm INTO NATURAL GROUND OR BELOW FROST DEPTH SPECIFIED BY LOCAL COUNCIL. ROLLED OR COMPACTED FILL MAY BE USED UNDER SLAB, COMPACTED IN 150mm LAYERS TO A MAXIMUM DEPTH OF 900mm. CONCRETE FOUNDATION EMBLEMENT DEPTH DO NOT APPLY TO LOCATIONS WHERE ANY UNCOMPACTED FILL OR DISTURBED GROUND EXISTS OR WHERE WALLS OF THE EXCAVATION WILL NOT STAND WITHOUT SUPPLEMENTAL SUPPORT, IN THIS CASE SEEK FURTHER ENGINEERING ADVICE.
- CONCRETE REQUIREMENTS: ALL CONCRETE DETAILS AND PLACEMENT SHALL BE PERFORMED IN ACCORDANCE WITH AS2670 AND AS3600. CONCRETE SHALL HAVE A MIN. 28-DAY STRENGTH OF 20MPa FOR EXPOSURE A1 & B1, 25MPa FOR EXPOSURE A2 & B2 AND 32MPa FOR EXPOSURE C. CEMENT TO BE TYPE A. MAX AGGREGATE SIZE OF 20mm. SLABS TO BE 80mm +/-15mm. SLABS TO BE CURED FOR 7DAYS BY WATERING OR COVERING WITH A PLASTIC MEMBRANE, AFTER WHICH CONSTRUCTION CAN BE RESUMED WITH CARE GIVEN NOT TO OVER-TIGHTEN BOLD DOWN BOLTS. GIVEN ALLOWABLE SOIL TYPES 1 LAYER OF #72 REINFORCING MESH IS TO BE INSTALLED ON STANDARD SLABS WITH A MINIMUM 30mm COVER FROM CONCRETE SURFACE. CONCRETE REINFORCING TO CONFORM TO AS 1302, AS1303 & AS 1304. ALL REINFORCING COVER TO BE A MINIMUM 30mm.
- STEEL REQUIREMENTS: ALL STRUCTURAL STEEL INCLUDING REINFORCING THROUGH EXCLUDING CONCRETE REINFORCING, SHALL CONFORM TO AS 1397 (GRADE >= 1.5mm Fy = 485MPa, GRADE < 1.5mm Fy = 500MPa, GRADE >= 1.5mm Fy = 450MPa). NO NEEDLES TO BE PERFORMED ON BUILDING. ALL STRUCTURAL MEMBERS AND CONNECTIONS DESIGN TO AS4600. ALL BOLT NUTS DIAMETERS TO STRAIGHT GENERAL FORGING.
- SNOW LOADS: BUILDINGS SUPPLIED IN AREAS REQUIRING SNOW AND INCLUDING A 1kPa SNOW LOADING MUST COMPLY WITH THE REQUIREMENTS OF THE BCA CONSIDERING GENERAL SNOW LOAD CERTIFICATION LETTER DATED 31-05-04.



PROJECT DESIGN CRITERIA

ROOF LIVE LOAD: 0.25 kPa
 WIND REGION: Reg B
 TERRAIN CATEGORY: Terrain Cat 2
 SOIL SAFE BEARING CAPACITY: 100 kPa

DETAIL KEYS

- (A) ENDWALL VERTICAL MULLION (SEE DETAIL C/S FOR TOP CORN. AND F/S FOR BASE CORN.)
- (B) FLYBRACING PER DETAIL L/S
- (C) X-BRACING IN ROOF ABOVE (SEE DETAIL M/S)

DOOR SCHEDULE

DOOR	WIDTH	HEIGHT	OPENING TYPE	HEADER GIRT	OPENING JAMBS
①	2750	2200	2.20H X 2.20 CB *FRAMING R/D	SINGLE	
②	2700	2200	2.20H X 2.20 CB *FRAMING R/D	SINGLE	
③	900	2100	PA DOOR FRAME 1 2PC STAINLESS	SINGLE	
④	1400	800	WINDOW	SINGLE	

NOTES: 1) SEE SHEET 5 FOR DOOR OPENING FRAMING INFORMATION.
 2) ALL DOOR SCHEDULE MEASUREMENTS ARE ACTUAL DOOR/WINDOW SIZE NOT OPENING SIZE.

SAMPLE ONLY

4 OF 5 SHEET

JOB NO: AGSD10201

DATE: 2/11/2005

CHECKED: AM

DRAWN: AGS

STEEL BUILDING BY (CONTACT) **A.G & S DISTRIBUTORS P/L**

FOR **YOUR NAME**

AT **YOUR ADDRESS**

2005

© Copyright A.G.S. Building Systems Pty Ltd.

A B CONSULTING ENGINEERS

Structural & Civil

Andrew Matiukevitch

MIEAust. CPEng. (Regd. NPER - 3 Structural)

Practising Structural Engineer R.P.E.Q. No. 4748.

Building Designer/Structural Certifier

TAS Reg No. CC850L

Registered Professional Engineer 341550

Mr Andrew Matiukevitch

MIEAust CPEng (Structural)

NPER-3

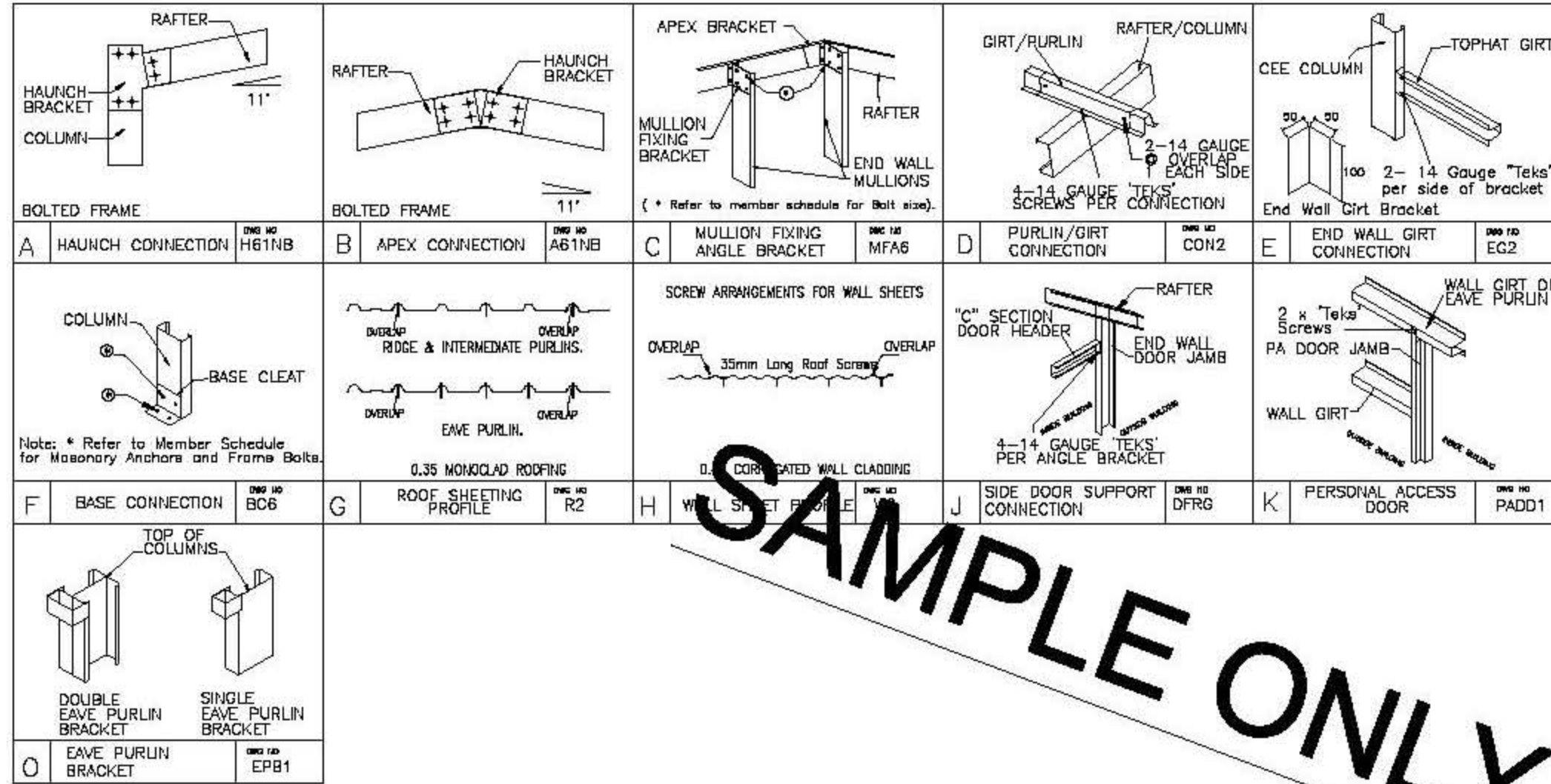
Signature: *Andrew Matiukevitch*

Dated: 2/11/05

Registered on the NPER-3 in the Category of Structural

National Professional Engineers Register Section Three

The design and detail shown on these drawings are applicable to this project only and may not be reproduced in whole or any part or be used for any other purpose without the written permission of AG&S Building Systems Pty Ltd with whom copyright resides.



MEMBER AND MATERIAL SCHEDULE		
1	C.S. FRAME RAFTER	Single C15019
2	C.S. FRAME COLUMN	Single C15019
3	ENDWALL RAFTERS	C15019
4	ENDWALL COLUMNS	C15019
5	LEFT LEANTO RAFTER	
6	RIGHT LEANTO RAFTER	
7	ENDWALL VERTICAL MULLIONS	Single C15019
8	ANCHOR BOLTS (Ø PER DETS.)	Stainless Steel 12.0x75 Z/Y
9	EAVE PURLIN	C10010
10	TYP. ROOF PURLIN SIZE	Tophat section 84mm x 1.0mm
11	MAIN BLDG. PURLIN SPACING	.88 m. Max.
12	LEFT LEANTO PURLIN SPACING	. m. Max.
13	RIGHT LEANTO PURLIN SPACING	. m. Max.
14	TYP. SIDEWALL GIRT SIZE	Tophat 64 x 1.0
15	MAIN BLDG. SIDEWALL GIRT SPACING	1.2 m. Max.
16	LEFT LEANTO SIDEWALL GIRT SPACING	. m. Max.
17	RIGHT LEANTO SIDEWALL GIRT SPACING	. m. Max.
18	TYP. ENDWALL GIRT SIZE	Tophat 84 x 1.0
19	MAIN BLDG. ENDWALL GIRT SPACING	1.34 m. Max.
20	LEFT LEANTO ENDWALL GIRT SPACING	1. m. Max.
21	RIGHT LEANTO ENDWALL GIRT SPACING	1. m. Max.
22	FRAME SCREW FASTENERS	14-13x22 Hex C/S (SP HD 5/16" Hex Drive)
23	FRAME BOLT FASTENERS	Purlin Assy N13x30 Z/P
24	X-BRACING STRAP AND FASTENERS	None required for this building.
25	WALL COLOUR	DEEP_OCEAN
26	ROOF COLOUR	WOODLAND_GREY
27	DOOR COLOUR	SURF_WHITE
28	DOWNPIPE COLOUR	HIGHT_SKY
29	GUTTER COLOUR	HIGHT_SKY
30	CORNER COLOUR	HIGHT_SKY
31	BARGE COLOUR	HIGHT_SKY
32	OPENING FLASHING COLOUR	HIGHT_SKY
33	OPEN BAY HEADER HEIGHT	0.0

SAMPLE ONLY

5 OF 5
SHEET
JOB NO. AGSD10201
DATE 2/11/2005
CHECKED AM
DRAWN AGS

STEEL BUILDING BY (CONTACT) **A.G & S DISTRIBUTORS P/L**
FOR **YOUR NAME**
AT **YOUR ADDRESS**
2005



A B CONSULTING ENGINEERS
Structural & Civil
Andrew Matiukevitch
MIEAust. CPEng. (Regd. NPER - 3 Structural)
Practising Structural Engineer R.P.E.Q. No. 4748.
Building Designer/Structural Certifier
TAS Reg. No. CC850L

Registered Professional Engineer 341550
Mr Andrew Matiukevitch
MIEAust CPEng (Structural)
NPER-3
Signature: *Andrew Matiukevitch*
Date: 2/11/05
Registered on the NPER-3 in the Category of Structural
National Professional Engineers Register Section Three